



THE BEST COMMERCIAL LED SHOEBOX LIGHT IN THE INDUSTRY

JUST GOT BETTER.

HENNESSY ELITE

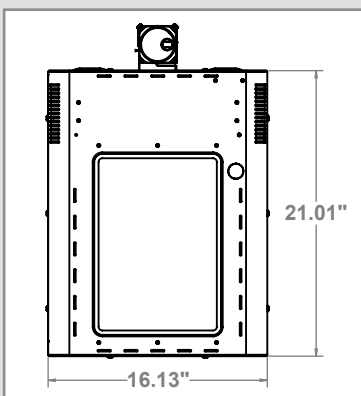
Hennessy Elite 3P Shoebox Light

Hennessy Elite Shoeboxes are another example of Titan LED's efficacy dominance in the LED market. Built with the same attention to detail that Titan LED is known for, these Hennessy Elite Shoebox lights are ideal for parking lots and garages, parks and other outdoor facility locations.

Hennessy Elite 3 Panel LED Shoebox Light Product SKU Options

SKU	DESCRIPTION	LUMENS	EFFICACY	WARRANTY	RATED HOURS	IES FILE*
SB-3PC-500W-80-50K	3-Panel 500W 80° Shoebox	81,295	162.6 lm/W	7 Year	150,000	IES
SB3PC-500W-110-50K	3-Panel 500W 110° Shoebox	78,617	157.2 lm/W	7 Year	150,000	IES
SB-3PC-500W-T3-50K	3-Panel 500W T3 Shoebox	77,575	155.1 lm/W	7 Year	150,000	IES
SB-3PC-570W-80-50K	3-Panel 570W 80° Shoebox	90,713	159.1 lm/W	7 Year	150,000	IES
SB-3PC-570W-110-50K	3-Panel 570W 110° Shoebox	88,283	154.9 lm/W	7 Year	150,000	IES
SB-3PC-570W-T3-50K	3-Panel 570W T3 Shoebox	88,182	154.7 lm/W	7 Year	150,000	IES
SB-3PC-630W-80-50K	3-Panel 630W 80° Shoebox	98,684	155.7 lm/W	7 Year	150,000	IES
SB-3PC-630W-110-50K	3-Panel 630W 110° Shoebox	96,521	152.5 lm/W	7 Year	150,000	IES
SB-3PC-630W-T3-50K	3-Panel 630W T3 Shoebox	97,693	154.1 lm/W	7 Year	150,000	IES

*View IES Files online at TitanLEDUS.com



Safety

Illuminate Industrial High Bay and Industrial Low Bay facilities

Maintainability

Lower Junction Temperature, reduce energy consumption 60-70% and environmentally Friendly

Optional Control

Photo Cell and Motion Control Options for Title-24 Compliance Certification

Electrical/Mechanical Facts

- AC Voltage Range 120V – 277 Vac
- Max Ambient Temp: -4° to 139°F / -20° to 59°C
- Power Factor: .997 @ 120Vac, .998 @ 277Vac
- Dimensions: 21" L x 16" W x 6" H
- Proprietary Custom Designed Optics
- ACC Patented Cooling Technology



Warranty
7-year warranty. Complete terms located at Titanledus.com/warranty



**150,000
RATED HOURS**