

THE BEST COMMERCIAL LED HIGH BAY LIGHT IN THE INDUSTRY

JUST GOT BETTER.

HENNESSY ELITE

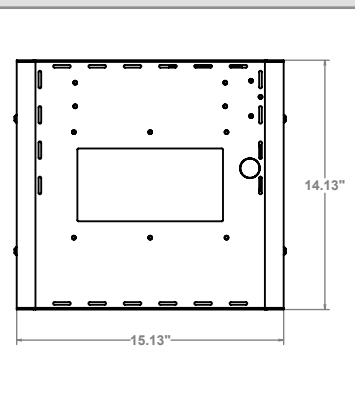
Hennessy Elite 1P High Bay Light

Hennessy Elite High Bay Lights are another example of Titan LED's efficacy dominance in the LED market. Built with the same attention to detail that Titan LED is known for, these High Bay lights are ideal for large installations such as distribution centers, warehouses, and for any Industrial High and Low Bay lighting facilities.

Hennessy Elite 1 Panel LED High Bay Light Product SKU

SKU	DESCRIPTION	LUMENS	EFFICACY	WARRANTY	RATED HOURS	IES FILE*
HB-1PC-100W-80-50K	1-Panel 100W 80° High Bay	17,044	167 lm/W	7 Year	150,000	IES
HB-1PC-100W-110-50K	1-Panel 100W 110° High Bay	16,317	160 lm/W	7 Year	150,000	IES
HB-1PC-125W-80-50K	1-Panel 125W 80° High Bay	20,656	165 lm/W	7 Year	150,000	IES
HB-1PC-125W-110-50K	1-Panel 125W 110° High Bay	19,862	158.9 lm/W	7 Year	150,000	IES
HB-1PC-150W-80-50K	1-Panel 150W 80° High Bay	24,649	164.3 lm/W	7 Year	150,000	IES
HB-1PC-150W-110-50K	1-Panel 150W 110° High Bay	23,753	158.4 lm/W	7 Year	150,000	IES
HB-1PC-190W-80-50K	1-Panel 190W 80° High Bay	30,521	160.6 lm/W	7 Year	150,000	IES
HB-1PC-190W-110-50K	1-Panel 190W 110° High Bay	29,678	156.2 lm/W	7 Year	150,000	IES

*View IES Files online at TitanLEDUS.com



Safety

Illuminate Industrial High Bay and Industrial Low Bay facilities

Maintainability

Lower Junction Temperature, reduce energy consumption 60-70% and environmentally Friendly

Optional Control

Photo Cell and Motion Control Options for Title-24 Compliance Certification

Electrical/Mechanical Facts

- AC Voltage Range 120V – 277 Vac
- Max Ambient Temp: -4° to 139° F / -20° to 59° C
- Power Factor: .997 @ 120Vac, .998 @ 277Vac
- Dimensions: 13.125" L x 15.125" W x 4.2" H
- Proprietary Custom Designed Optics
- ACC Patented Cooling Technology



Warranty
7-year unlimited warranty. Complete terms located at: Titanledus.com/warranty



150,000
RATED HOURS