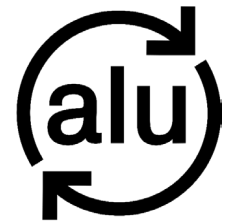


# Product Specification Sheet

## Universal Tenon Mount Adapter



### Features:

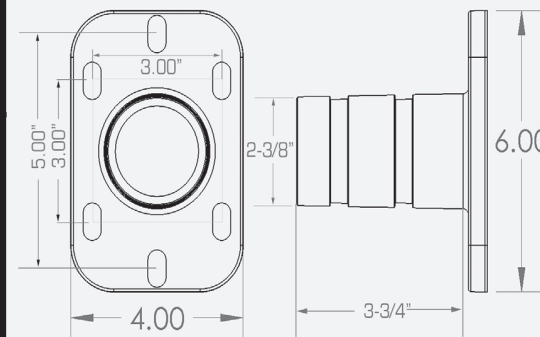
- Titan LED's Universal Mount provides a rigid design to allow secure mounting of a knuckle based fixture to the 2-3/8" Tenon.
- Convenient 2 and 4-Hole Universal Design with Oval Bolt Holes
- Custom rubber gasket helps seal bolted universal mounting plate to flat smooth locations
- Standard 2 hole and 4 hole bolt patterns allow for easy mounting to existing square poles and wall mount applications
- Mounting Adaptor's are constructed of High Tensile Die Cast Aluminum Alloy
- Recessed rings on tenon allow Titan LED's Knuckle additional security with 4 Allen mounting bolts that conveniently line up and lock into the tenons recesses.
- UTM's are painted in a high quality outdoor powder coat finish.  
\*Custom colors available upon request.  
(\*Minimum Order Required)

### Product SKU #

**60-PM-24**  
Universal Tenon Mount  
Adapter with 2-3/8" Tenon.

EPA RATING - .03 Ft<sup>2</sup> Max.  
Force Load 500 lb Minimum  
Safety Factor of 2.68.

### Universal Tenon Mount Dimensions



Titan LED knuckle shown for assembly illustration purposes only!



**TITAN LED**

850 East Covey Lane, Suite # 140 Building C, Phoenix AZ 85024

All Images and Information are Property of Titan LED Inc. 2019 and may Only be used by permission.