

# Shoebox Bullhorn



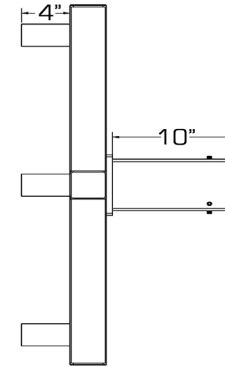
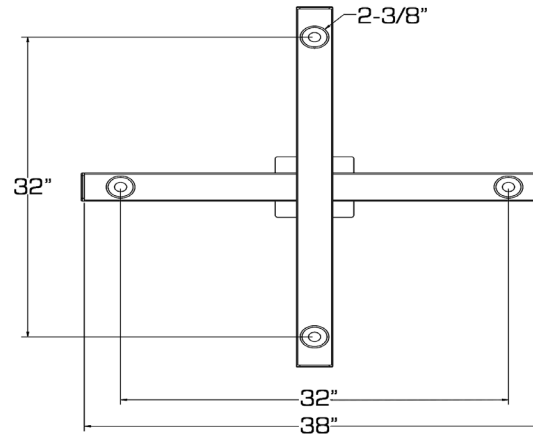
4 @ 90°

Only Square Sleeve Depicted

### Features:

- Bull Horns are designed to securely sleeve over the top of a square or round pole ranging in sizes from 3" to 6".
- Custom 10" deep sleeves add rigidity and help hide holes left from removing existing hardware.
- Bull Horns have 4 x 3/8-16 Allen head stainless steel set screws for securing the Bull Horn base to the pole.
- Bull Horns are constructed from .188 inch (3/16") USA steel tubing.
- Vertical tenons are 2 3/8" in diameter with a height of 4".
- Bull horns are welded using industry standard Best fillet welds that go all around the tenon base to ensure rigid construction.
- Bull Horns are painted in a high quality outdoor powder paint, Custom colors available upon request. (Minimum Order Required)
- Proudly CAD Designed and Manufactured in America by Americans.
- ABS Plastic - Tube End Caps
- 10 Year Warranty

### Titan LED Bullhorn Dimensions



Model Number	Effective Projected Area in <sup>2</sup>	In <sup>2</sup> to Ft <sup>2</sup> Conversion	Effective Projected Area Ft <sup>2</sup>	Wind Load Variable	EPA Rating Ft <sup>2</sup>
60-4BH-4RO-90	224.75	0.006944	1.560664	1.2	1.87
60-4BH-4SQ-90	231.5	0.006944	1.607536	1.2	1.93
60-4BH-5RO-90	236.5	0.006944	1.642256	1.2	1.97
60-4BH-5SQ-90	241.5	0.006944	1.676976	1.2	2.01
60-4BH-6SQ-90	251.05	0.006944	1.7432912	1.2	2.09

Parallel to ground

### SKU #

60-4BH-4SQ-90

Bull Horn Adaptor - Mount 4 Shoeboxes, at 90° on 2-3/8" Round Tenons that are 4" in Height Bullhorn utilizes a 10" Sleeve that slides directly over a 4" Square Pole - Shoeboxes are 90° apart

60-4BH-5SQ-90

Bull Horn Adaptor - Mount 4 Shoeboxes, at 90° on 2-3/8" Round Tenons that are 4" in Height Bullhorn utilizes a 10" Sleeve that slides directly over a 5" Square Pole - Shoeboxes are 90° apart

60-4BH-6SQ-90

Bull Horn Adaptor - Mount 4 Shoeboxes, at 90° on 2-3/8" Round Tenons that are 4" in Height Bullhorn utilizes a 10" Sleeve that slides directly over a 6" Square Pole - Shoeboxes are 90° apart

60-4BH-4RO-90

Bull Horn Adaptor - Mount 4 Shoeboxes, at 90° on 2-3/8" Round Tenons that are 4" in Height Bullhorn utilizes a 10" Sleeve that slides directly over a 4" Round Pole - Shoeboxes are 90° apart

60-4BH-5RO-90

Bull Horn Adaptor - Mount 4 Shoeboxes, at 90° on 2-3/8" Round Tenons that are 4" in Height Bullhorn utilizes a 10" Sleeve that slides directly over a 5" Round Pole - Shoeboxes are 90° apart

Attention: All specifications are subject to change without notice.

**TITAN LED** 4590 Ish Drive, Unit # 100, Simi Valley, CA 93063

Phone: (805) 523-7500 Fax: (805) 523-7502